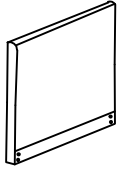


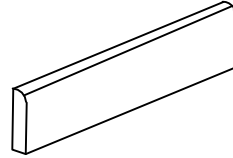
1

PART LIST

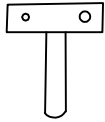
1.Headboard
1pc



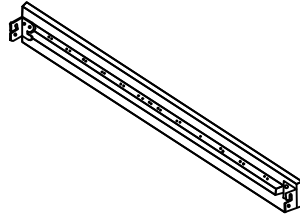
2.Footboard
1pc



3.Support Leg *4pcs



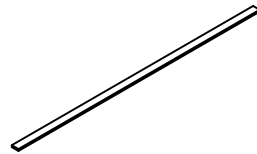
4.Side Rail*2pcs



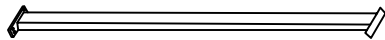
5.Center Support Bar
2pcs



6.Slats*13pcs



7.Center Support Bar
1pc



8.Single Plastic Cap
26pcs



9.Leg*4pcs

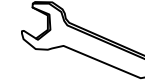


HARDWARE LIST

(A)Bol t M8 *30mm *28pcs



(B)Spanner *1pc s



(C)Nut M8*8pcs



(D)Spring Washer*8pcs



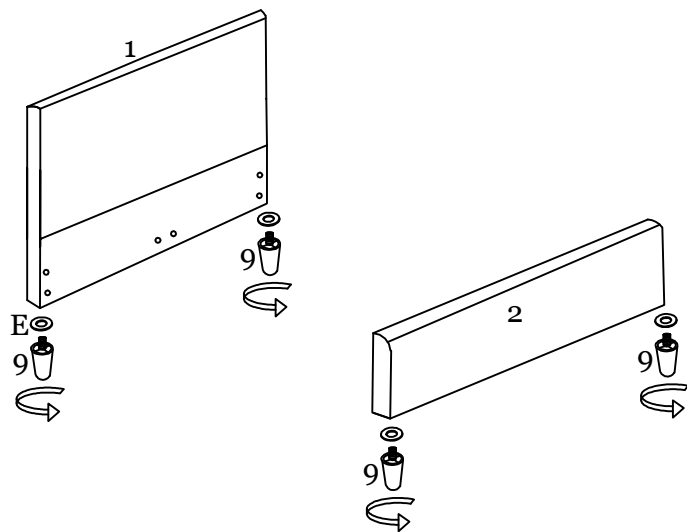
(E)Flat Washer * 12pcs



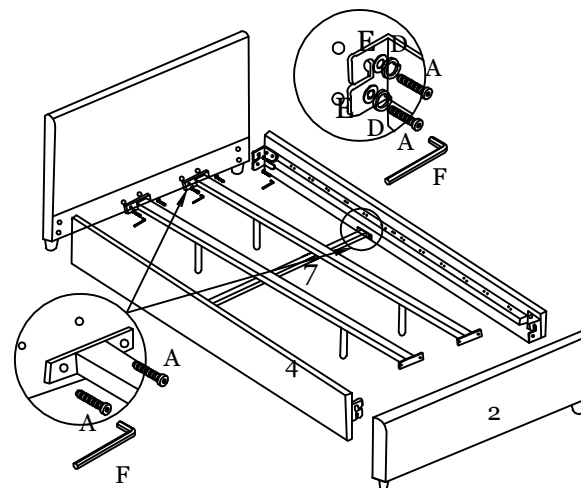
(F)Allen Key M5*1pcs



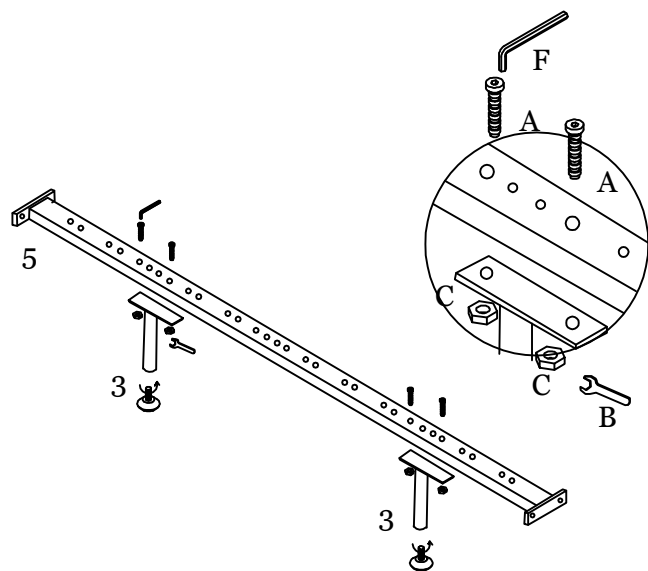
STEP 1 FIXING LEGS TO HEADBOARD AND FOOTBOARD



STEP 3 FIXING SIDE RAILS AND CENTRE SUPPORT BAR TO HEADBOARD AND FOOTBOARD



STEP 2 FIXING SUPPORT LEGS TO CENTRE SUPPORT BAR



STEP 4 FIXING PLASTIC CAPS AND SLATS

